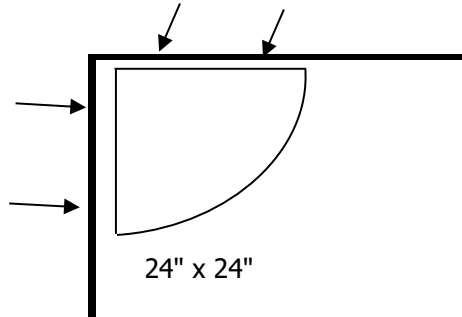


The Cube Roof, Uc

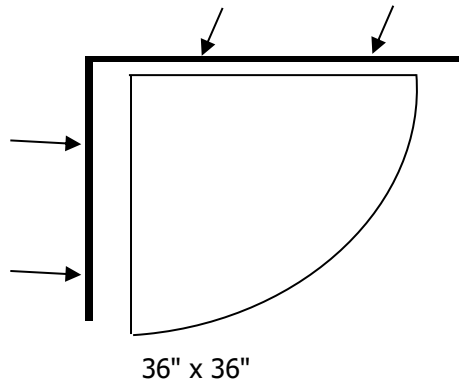
PO Box 774 ~ Gladstone, OR 97027 ~ 503-680-3535
thecuberoof.com

INSTRUCTIONS

1. Remove paper covering from top unit
- 2c. Place one bracket on top of paneling system at least 10" from outside edge of top unit



- 2b. Place one 10" bracket on top of paneling system at least 10" from inside corner and place one 16" bracket at least 26" from center/corner



3. Place top unit on brackets and adjust brackets as needed for space requirements
4. Lift top unit, remove magnet, remove tape backing, re-place magnet sticky side up
5. Re-set top unit on brackets. Gently press together.

Use only acrylic/plastic cleaner with a microfiber cloth to avoid damage to unit.

DISCLAIMER:

Cube Roof™ is not intended to be used as a shelving system

For more information, please visit www.thecuberoof.com

Thank you for the opportunity to assist you!

RETURN POLICY:

14 days upon receipt, **50% Restocking fee on all specialty cut pieces**,
Return Shipping is paid by Customer.