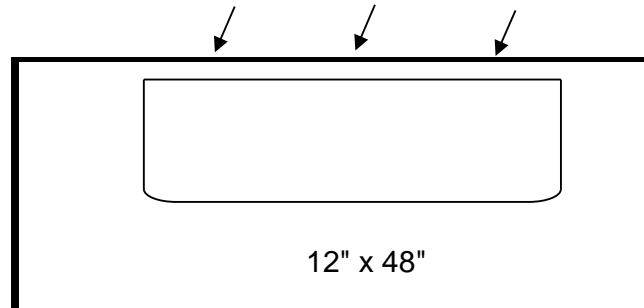


The Cube Roof, LLC

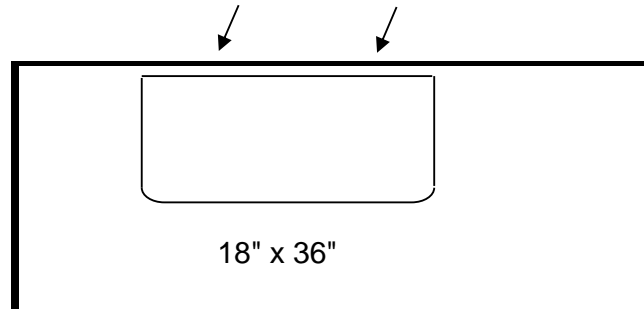
PO Box 774 ~ Gladstone, OR 97027 ~ 503-680-3535
thecuberoof.com

INSTRUCTIONS

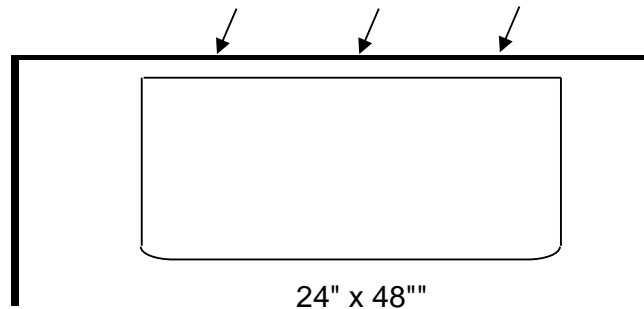
1. Remove paper covering from top unit
- 2a. Place one 10" bracket on top of paneling system at least 6" from outside edge of top unit



- 2b. Place one 16" bracket on top of paneling system at least 10" from outside edge of top unit



- 2c. Place one 16" bracket on top of paneling system at least 6" from outside edge of top unit



3. Place top unit on brackets and adjust brackets as needed for space requirements
4. Lift top unit, remove magnet, remove tape backing, re-place magnet sticky side up
5. Re-set top unit on brackets. Gently press together.

Use only acrylic/plastic cleaner with a microfiber cloth to avoid damage to unit.

DISCLAIMER:

Cube Roof™ is not intended to be used as a shelving system

For more information, please visit www.thecuberoof.com

Thank you for the opportunity to assist you!

RETURN POLICY:

14 days upon receipt, **70% Restocking fee on all specialty cut pieces**,
Return Shipping is paid by Customer.